

Short Description



- Aluminium-alloy IP65 single point load cell
- Colourless anodized
- Suitable for pricing scales, bench scales, etc.
- Maximum platform size: 400 x 400 mm



Test certificate no. TC7838 Revision 1
C of C no R60/2000-NL1-15.08



Certificate no. 11-062

Available Models

| Capacity | Accuracy | Full Article Description |
|----------|-------------------------|--------------------------|
| 30kg | C3 (excluded from OIML) | L6E-C3-30kg-2B |
| 50kg | C3/C4/C5 | L6E-C3/C4/C5-50kg-2B |
| 60kg | C3/C4/C5 | L6E-C3/C4/C5-60kg-2B |
| 80kg | C3/C4/C5 | L6E-C3/C4/C5-80kg-2B |
| 100kg | C3/C4/C5 | L6E-C3/C4/C5-100kg-2B |
| 150kg | C3/C4/C5 | L6E-C3/C4/C5-150kg-2B |
| 200kg | C3/C4/C5 | L6E-C3/C4/C5-200kg-2B |
| 300kg | C3/C4/C5 | L6E-C3/C4/C5-300kg-2B |
| 500kg | C3/C4/C5 | L6E-C3/C4/C5-500kg-2B |

Technical Specifications L6E

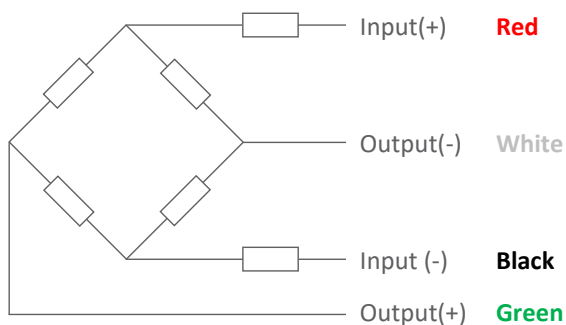
| | | | | | |
|---|-------------------------|--------------------------|-------------------------------------|--------------------------|-------------|
| Accuracy Class | | C3 | OIML R60 C3 | OIML R60 C4 | OIML R60 C5 |
| Output Sensitivity (= FS) | mV/V | 2.0 ± 0.2 | | | |
| Maximum Capacity (E _{max}) | kg | 30 | 50, 60, 80, 100, 150, 200, 300, 500 | | |
| Max. Number of Load Cell Intervals | n _{LC} | 3000 | | 4000 | 5000 |
| Ratio of min. LC Verification Interval | $Y = E_{max} / V_{min}$ | 10000 | | 15000 | 20000 |
| Combined Error | %FS | ≤± 0.0230 | | ≤± 0.0175 | ≤± 0.014 |
| Creep Error (30 minutes) | %FS | ≤± 0.0167 | | ≤± 0.0125 | ≤± 0.010 |
| Temperature Effect on Zero (ZTC) | %FS/10°C | ≤± 0.0200 | | ≤± 0.0120 | ≤± 0.009 |
| Temperature Effect on Sensitivity (STC) | %FS/10°C | ≤± 0.0175 | | ≤± 0.0131 | ≤± 0.010 |
| Zero Balance | %FS | ≤± 2.0 | | | |
| Safe Overload | %FS | 150 | | | |
| Ultimate Overload | %FS | 200 | | | |
| Maximum Deflection | mm | 30kg – 150kg: 0.6 ~ 0.96 | | 200kg – 500kg: 0.9 ~ 1.3 | |
| Eccentric Loading Error | %LD/cm | ≤ 0.002 | | | |
| Excitation, Recommended Voltage | V | 5 ~ 12 | | | |
| Excitation, Maximum Voltage | V | 18 | | | |
| Input Resistance | Ω | 406 ± 6 | | | |
| Output Resistance | Ω | 350 ± 3 | | | |
| Insulation Resistance (50V) | MΩ | ≥5000 | | | |
| Compensated Temperature | °C | -10 ~ + 40 | | | |
| Operating Temperature | °C | -35 ~ +65 | | | |
| Storage Temperature | °C | -40 ~ +70 | | | |
| Load Cell Weight | kg | ~0.45 | | | |
| Element Material | | Aluminium | | | |
| Ingress Protection (acc. to EN 60529) | | IP65 | | | |
| Recommended Torque on Fixation Bolts | Nm | M6: 20 | | | |

Wiring

Features:

Cable type: Shielded, 4 conductor cable , conductor AWG 24
 Cable diameter: Ø 5.3mm
 Cable length: 2.0m
 Cable jacket: PVC
 Shield not connected to element

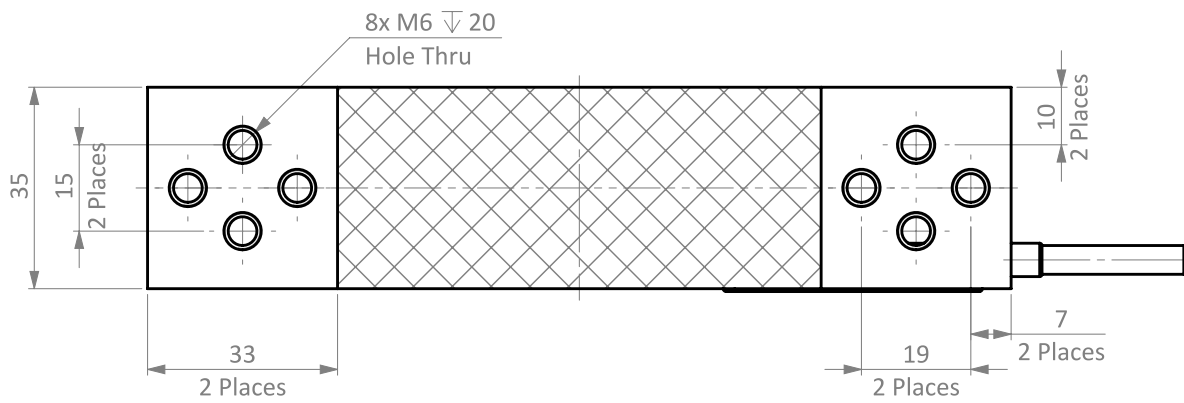
4-Wire Connection Diagram



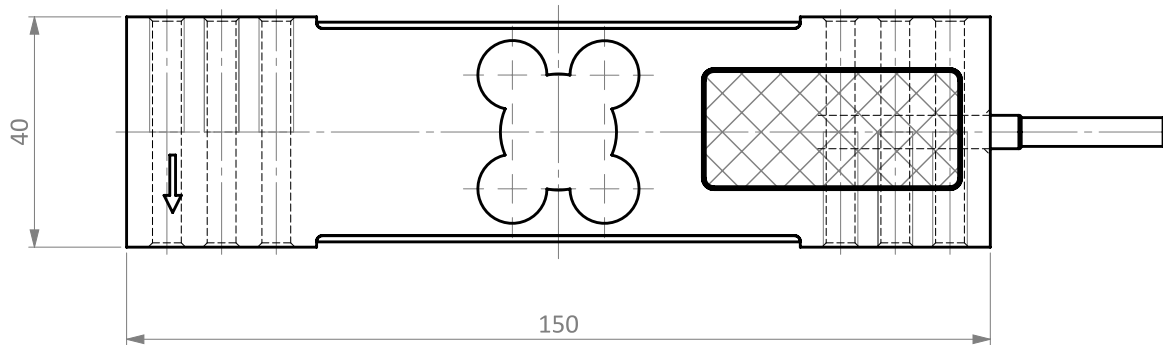
Specifications and dimensions are subject to change without notice and do not constitute any liability whatsoever.

Dimensions in mm

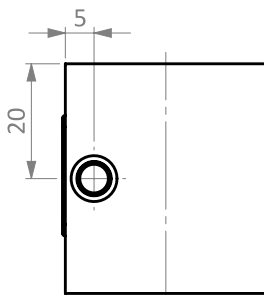
Top View



Front View



Side View



Isometric View

