

T-Scale

NHB 24 Precision Balance



Precision balance setting the new standard for accuracy and precision



Features

* Full View Angle Display

Full View Angle Displays, with good graphic resolution and brightness, allow the content of the display to be visible from any angle.

* Powerful Back Office Management Software

The management software can display the weight in real time, and can be used as a remote device to perform ZERO and TARE operation. It provide users to manage the PLU, user and customer information,ect. Transferring the weighing data from scales through the method of manual, automatic or time interval.

* Higher Cost Performance

We break the technical bottleneck in traditional analog load cell and offer the advantage of comprehensive linearity and temperature compensation, which provide users competitive performance at an economical price.

* Multiple Use For a Variety of Applications

NHB 24 series offering high accuracy and repeatability for applications in laboratory, industrial and education settings.



Easy Communication

Multiple connectivity options, RS-232 and USB device ports, Bluetooth and provide versatility and flexibility for a variety of applications.



Remote Display

Connecting the remote display with the balance via RS232 port for external use (Option).



HBM High Precision Load Cell

The balance is equipped with HBM high precision load cell, it is extremely accurate and durable, ensures that the balance provide a reliable results.



DC500 Back Office Management Software

DC500 PC software allows you to transfer data in real time ,compatible with microsoft windows.

T-Scale

NHB 24 Precision Balance

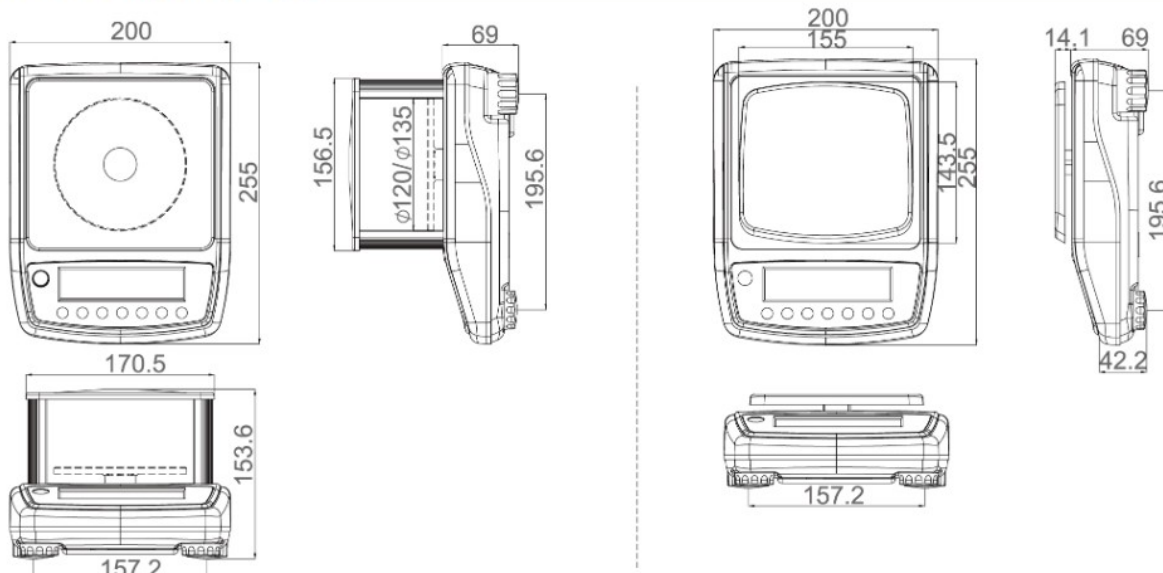


Technical Data



Item	Specification				
Capacity ★	300g	600g	1500g	3000g	6000g
Max. Divisions ★	60.000d	150.000d	300.000d	600.000d	
Verification Value ★	6000e				
Pan size ★	Φ120mm				140x150mm
Wind shield	YES				NO
Display	16.5mm digit LCD display with white LED backlight				
Housing	Plastic housing , Stainless steel pan				
Keyboard	7 membrane keys				
Interface	DB9 RS232 port				
Factory option	USB2.0 port(Type B), Under hook				
Option	Bluetooth5.0 , Remote Display				
Battery life	Approx. 17 hours with backlight of continuous use				
	Approx. 35 hours without backlight of continuous use				
Power	Input AC 100-240v , output DC 12V/500mA 6V/1.3Ah rechargeable battery				
Dimension (WxDxH)	200 x 255x 154mm				200 x 255 x 84mm
Operating Conditions	Temperature : 10°C~35°C , Humidity : < 85% R.H..				
★ See next page of detail					

Dimension(mm)



* Specifications are subject to change without notice

T-Scale

NHB 24 Precision Balance



Capacity / Division / Pan Size



Model	Capacity (g)	Division	Readability [d]g	Verification Value [e]g	Pan Size	Net Weight	Gross Weight
NHB24-600g-M	600	6,000e	0.01	0.1	120mm	1.4kg	2kg
NHB24-1200g-M	1200	6,000e	0.02	0.2	120mm	1.4kg	2kg
NHB24-3000g-M	3000	6,000e	0.05	0.5	140x150mm	1.0kg	1.6kg
NHB24-6000g-M	6000	6,000e	0.1	1	140x150mm	1.0kg	1.6kg
NHB24-300g-3W	300	30,000d	0.01		120mm	1.4kg	2kg
NHB24-600g-3W	600	30,000d	0.02		120mm	1.4kg	2kg
NHB24-1500g-3W	1500	30,000d	0.05		135mm	1.5kg	2.1kg
NHB24-3000g-3W	3000	30,000d	0.1		135mm	1.5kg	2.1kg
NHB24-6000g-3W	6000	30,000d	0.2		140x150mm	1.0kg	1.6kg
NHB24-300g-6W	300	60,000d	0.005		120mm	1.4kg	2kg
NHB24-600g-6W	600	60,000d	0.01		120mm	1.4kg	2kg
NHB24-1500g-6W	1500	60,000d	0.02		135mm	1.5kg	2.1kg
NHB24-3000g-6W	3000	60,000d	0.05		135mm	1.5kg	2.1kg
NHB24-6000g-6W	6000	60,000d	0.1		140x150mm	1.0kg	1.6kg
NHB24-300g-15W	300	150,000d	0.002		120mm	1.4kg	2kg
NHB24-600g-15W	600	150,000d	0.005		120mm	1.4kg	2kg
NHB24-1500g-15W	1500	150,000d	0.01		135mm	1.5kg	2.1kg
NHB24-3000g-15W	3000	150,000d	0.02		135mm	1.5kg	2.1kg
NHB24-6000g-15W	6000	150,000d	0.05		140x150mm	1.0kg	1.6kg
NHB24-300g-30W	300	300,000d	0.001		120mm	1.4kg	2kg
NHB24-3000g-30W	3000	300,000d	0.01		135mm	1.5kg	2.1kg
NHB24-600g-60W	600	600,000d	0.001		120mm	1.4kg	2kg
NHB24-6000g-60W	6000	600,000d	0.01		140x150mm	1.0kg	1.6kg

* Specifications are subject to change without notice

Aprobaciones: OIML, NTEP

Capacidades: 300 g / 600 g / 1200 g / 1500 g / 3000 g / 6000 g

Divisiones: 6000e; 30,000d; 60,000d; 150,000d; 300.000 d; 600.000d

Tamaño de la bandeja: \varnothing 120 mm; \varnothing 135 mm; 140x150 mm

Pantalla: pantalla LCD de dígitos de 16,5 mm con retroiluminación

LED blanca Tablero de teclas: membrana

de 7 teclas Batería: batería recargable de plomo-ácido de 6 V / 1,3 Ah hasta 35 horas de uso continuo (sin retroiluminación)

Estándar: RS232

Opcional: USB2.0 (tipo B), Bluetooth 5.0, debajo del gancho