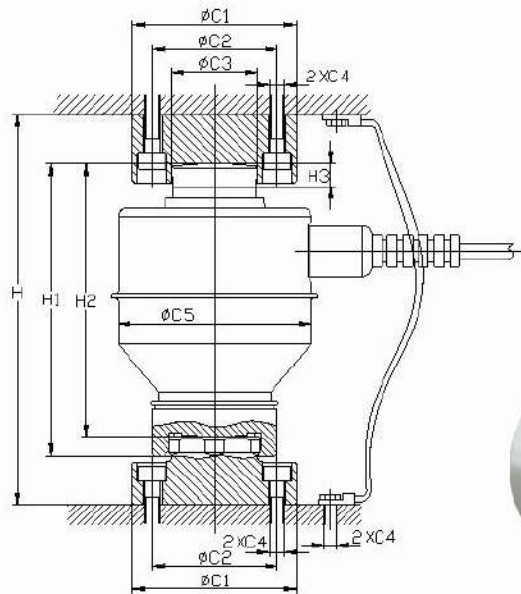


ZSWF-D LOAD CELL

Healthy & environment-friendly



DIMENSIONS, UNIT: mm

CAPACITY (t)	H	H1	H2	H3	C1	C2	C3	C4	C5
10、15、20、30、40、50、60	200	150	140	12	83.5	64	43.8	M8	99

Specifications

Accuracy:	C3
Repeatability:	0.01%F.S
Creep error(30 min):	0.02%F.S
TCO:	0.015%F.S/10°C
TC SPAN:	0.015%F.S/10°C
Data refresh frequency:	10HZ
Baud rate:	9600BPS
Operating Temperature:	-30°C~+70°C
Safe Overload:	150% F.S.
Rated Excitation:	9~12V DC (20V Max.)
Insulation Resistance:	5000MΩ(50V DC)
Material:	Alloy steel,Stainless steel
Communication mode:	RS 485
The max. signal transmission distance :	1200m
Seal Type:	IP68

Cable Color code:

+Excitation	Blue
-Excitation	Black
+Signal	White
-Signal	Red

Features:

1. Reliable anti-rotation, be with good stability;
2. Higher combined accuracy, good performance of anti off-center load error;
3. Higher protection class, structural durabilities;
4. Be with good performance of anti surge, can be applied into different environment.